

DIAPHRAGM SEAL

DIRECT COUPLED TYPE (COMPACT DESIGN)



MODEL CODE : EDD

SPECIAL FEATURES

- ALL STAINLESS STEEL CONSTRUCTION
- COMPACT DESIGN
- LOW COST VERSION
- THE DIAPHRAGM IS WELDED TO THE BODY TO ENSURE SEPARATION OF THE FILLING FLUID FROM THE PROCESS MEDIUM

APPLICATIONS

DIAPHRAGM SEALS ARE DESIGNED TO ISOLATE THE SENSING ELEMENT OF PRESSURE GAUGES AND PRESSURE SWITCHES FROM PROCESS FLUIDS THAT THEY MAY BE CORROSIVE, VISCOUS, SEDIMENTOUS AND / OR WITH A HIGH TEMPERATURE.

SPECIFICATIONS

STANDARD VERSION :

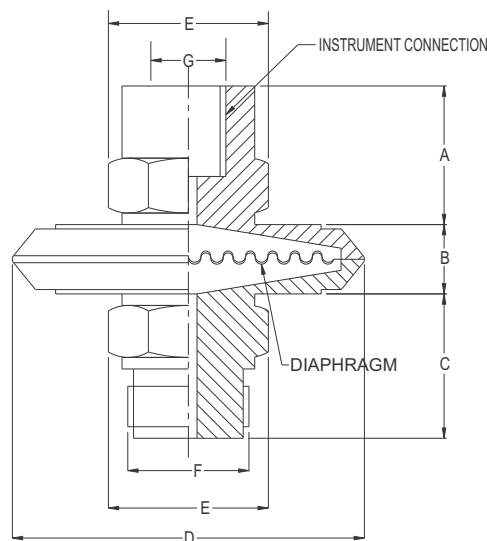
(COMPATIBLE EFFEX MODELS : EAD & EAT (NS 50 mm & 63 mm)

Range	: 1 kg/cm ² to 21 kg/cm ²
Process Temperature	: - 40 °C to 200 °C or as per fill fluid
Instrument Connection	: 1/4" BSP (F)
Process Connection	: 1/4" BSP (M)
Fill Fluid	: Silicon Oil - DC 200

Diaphragm	: AISI 316L SS
Body	: AISI 316 SS



DIMENSIONS - STANDARD VERSION



A	B	C	D	E	F	G	Approx. Wt.#
26	14	23	62	HEX A/F 19	1/4" BSP(M)	1/4" BSP(F)	260.0

(# Weight in grams with box for Standard Model.)

**DIAPHRAGM
SEAL**

DIAPHRAGM SEAL

DIRECT COUPLED TYPE (COMPACT DESIGN)



MODEL CODE : EDD

HOW TO ORDER

BASIC MODEL

Example

EDD

OPTIONAL EXTRAS

INSTRUMENT CONNECTION

VN

VN 1/4" BSP (F) (Standard) **VO** 1/4" NPT(F)

BODY

CL

CL AISI 316 SS (Standard)

DIAPHRAGM

UJ

UJ AISI 316L SS (Standard)

PROCESS CONNECTION

WS

WS 1/4" BSP (M) (Standard) **WY** 1/4" NPT (M)

FILLING FLUIDS (*Consult factory for specifications, price and delivery.)

UX

US FLUROLUBE 4.2 [-45 to 175 °C]

UY SILICON DC 704 [10 to 337 °C]

UT FLUROLUBE 6.3 [-40 to 235 °C]

UZ SILICON DC 710 [7 to 371 °C]

UU FLUROLUBE FS-5 [-28 to 148 °C]

VA SYLTHERM 800 [-40 to 315 °C]

UV FOOD GRADE OIL [-20 to 140 °C]

VB SYLTHERM XLT [-100 to 260 °C]

UX SILICON DC 200 [-40 to 205 °C] (Standard)

VC HALOCARBON OIL*

OTHER OPTIONS

XX

TB HELIUM LEAK TEST **TC** DRY SEAL ONLY WITHOUT INSTRUMENT **GH** MATERIAL TEST CERTIFICATES*

* MATERIAL TEST CERTIFICATES WILL BE PROVIDED FOR WETTED PARTS ONLY WITH CHEMICAL COMPOSITION TESTING. FOR OTHERS, PLEASE CONSULT FACTORY.

Ordering Example: EDD - VN - CL - UJ - WS - UX - XX

FOR OTHER OPTIONAL ITEMS, PLEASE CONTACT FACTORY FOR DELIVERY AND MINIMUM QUANTITY OF ORDER.

Note : Specifications and dimensions given in this product catalogue represents the state of engineering at the time of printing.

Modifications may take place and materials specified may be replaced by others without prior notice.

DIAPHRAGM
SEAL