

# DIAPHRAGM SEAL

FLUSH DIAPHRAGM, SANITARY TYPE



## MODEL CODE : EDE

### SPECIAL FEATURES

- ALL 316 STAINLESS STEEL
- LASER WELDED FLUSH DIAPHRAGM
- QUICK CONNECT / DISCONNECT FOR EASY CLEANING
- MATCHING DIN, SMS, RJT ETC. STANDARDS

### APPLICATIONS

DIAPHRAGM SEALS ARE PROVIDED IN THE INSTRUMENTS LIKE PRESSURE GAUGES, SWITCHES, TRANSMITTERS IN ORDER TO ISOLATE THE SENSING ELEMENT FROM THE MAIN SERVICE DUE TO ITS CORROSIVE, VISCOUS AND SEDIMENTED NATURE AND TO AVOID CLOGGING AND SOLIDIFICATION. THESE SEALS ARE SPECIALLY DESIGNED FOR APPLICATIONS WHERE HIGH PURITY IN THE PROCESS IS ESSENTIAL.- TYPICALLY IN FOOD, BEVERAGES, DAIRY AND PHARMACEUTICAL INDUSTRIES.



### SPECIFICATIONS

#### STANDARD VERSION :

- (COMPATIBLE KLEEV MODELS : EAD (NS 50 mm & 63 mm)  
 : EAL (NS 100 mm & 150 mm)  
 : EAI, EBE, EBI & EBJ

Range	Refer range table with Nominal Sizes
Process Temperature	: 10°C to 150°C or as per fill fluid
Instrument Connection	: 1/2" BSP (F)
Process Connection	: As per DIN 11851, SMS, RJT, IDF
Mounting	: Direct (Without capillary)

Diaphragm	: AISI 316L SS
Unit Nut	: AISI 316 SS
Body	: AISI 316 SS
Fill Fluid	: Glycerin

### DIMENSIONS - STANDARD VERSION

DIN 11851

DN	M	F(DIN 405)
25*	20	Rd 52 x 1/6
32	30	Rd 58 x 1/6
40	30	Rd 65 x 1/6
50	40	Rd 78 x 1/6

\* Connection 1/4" BSP (F)

SMS

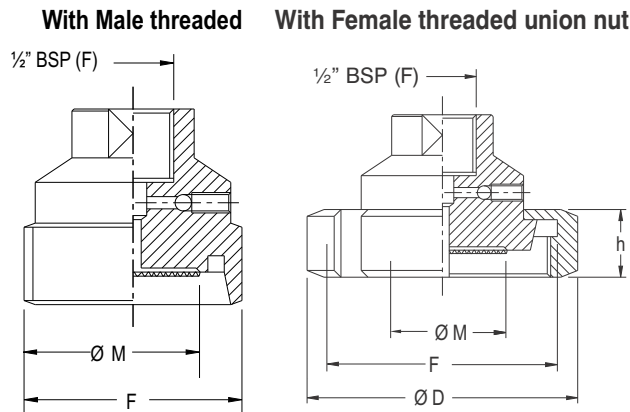
DN	M	F(DIN 405)
1 1/2"	30	Rd 60 x 1/6
2"	40	Rd 70 x 1/6

RJT/APV

DN	M	F (Whitworth)
1 1/2"	30	2" 5/16 x 8
2"	40	2" 7/8 x 6

IDF/ISS

DN	M	F(ACME)
1 1/2"	29	2" 1/32 x 8
2"	36	2" 9/16 x 8



DIN 11851

DN	h	D	M	F(DIN 405)
25*	21	63	30	Rd 52 x 1/6
32	21	70	30	Rd 58 x 1/6
40	21	78	40	Rd 65 x 1/6
50	22	92	50	Rd 78 x 1/6

\* Connection 1/4" BSP (F)

SMS

DN	h	D	M	F(DIN 405)
1 1/2"	25	74	30	Rd 60 x 1/6
2"	26	84	40	Rd 70 x 1/6

RJT/APV

DN	h	D	M	F (Whitworth)
1 1/2"	22	Hex. 65	30	2" 5/16 x 8
2"	22	Hex. 79	40	2" 7/8 x 6

IDF/ISS

DN	h	D	M	F(ACME)
1 1/2"	30	64	30	2" 1/32 x 8
2"	30	77	40	2" 9/16 x 8

Notes : • Drawings are not to scale. • All Dimensions are in mm.

**DIAPHRAGM SEAL**

# DIAPHRAGM SEAL

FLUSH DIAPHRAGM, SANITARY TYPE



## MODEL CODE : EDE

### GASKET (SEALING RING) MATERIAL

VU SILICON (Standard) VI PTFE

VU

### BOTTOM MATING PART (MALE OR FEMALE)

KLM DIN (25, 32, 40 OR 50mm) KNM RJT / APV (1½" OR 2") KLF DIN (25, 32, 40 OR 50mm) KNF RJT / APV (1½" OR 2")  
KMM SMS (1½" OR 2") KOM IDF / ISS (1½" OR 2") KMF SMS (1½" OR 2") KOF IDF / ISS (1½" OR 2")

KLM

(Example - To select male part, write KLM DIN 25 & to select female part, write KMF SMS 1½")

### REMOTE MOUNTING (With capillary of Max. Up to 2 Mtrs.)

SPECIFY IN METERS (e.g. 1.5 = 1.5 METERS 2.0 = 2 METERS)

1Mtr.

### CAPILLARY

PE AISI 304 SS PG AISI 316 SS

PG

### CAPILLARY COVERED WITH ARMOUR (Applicable with PE or PG if selected)

PF AISI 304 SS PH AISI 316 SS PI PVC (Ambient Temp. Max. 60°C)

PH

### OTHER OPTIONS

TB HELIUM LEAK TEST TC DRY SEAL ONLY WITHOUT INSTRUMENT GH MATERIAL TEST CERTIFICATES\*

\* MATERIAL TEST CERTIFICATES WILL BE PROVIDED FOR WETTED PARTS ONLY WITH CHEMICAL COMPOSITION TESTING. FOR OTHERS, PLEASE CONSULT FACTORY.

XX

Ordering Example: KDE - M - KH - VL - UJ - UF - CL - FA - VU - KLM - 1Mtr. - PG - PH - XX

FOR OTHER OPTIONAL ITEMS, PLEASE CONTACT FACTORY FOR DELIVERY AND MINIMUM QUANTITY OF ORDER.

Note : Specifications and dimensions given in this product catalogue represents the state of engineering at the time of printing.

Modifications may take place and materials specified may be replaced by others without prior notice.

DIAPHRAGM  
SEAL