

INDUSTRIAL THERMOMETER

9" SCALE, ADJUSTABLE ANGLE STEM



MODEL CODE : EIT

SPECIAL FEATURES

- For industrial and commercial plumbing trade
- Available with separable or lead free brass thermowell
- Stem Length: 3.5" (90 mm) and 6" (150 mm)
- Available in aluminum
- Organic blue liquid filled tube (magnifying)
- Scales can be ordered with dual units (°F & °C)
- Vari-angle connection and 360 degree case rotation for easy installation and better viewing of the scale
- Graphite filled bulb chamber for maximum heat conduction
- ASME B40.200 compliant

APPLICATIONS

New construction, plumbing, water lines, boilers, heating, HVAC, ventilation and air conditioning



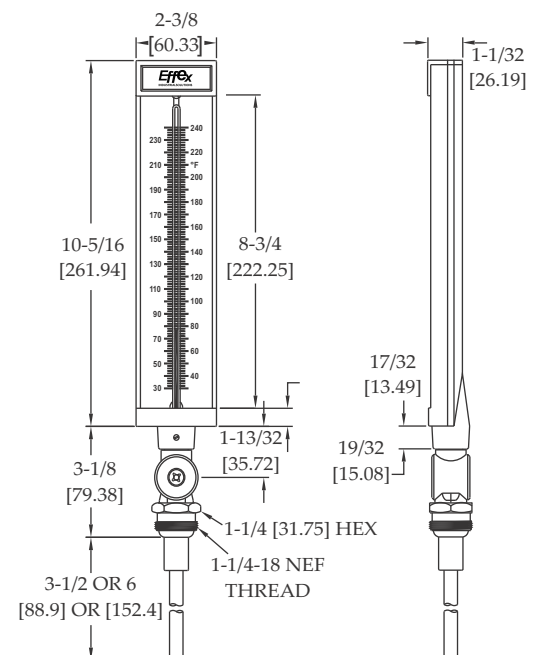
SPECIFICATIONS

Housing	:	9" (229 mm) aluminum or impact resistant
Scale	:	Aluminum painted white with black markings
Wetted Material	:	Tapered cast aluminum with graphite fill
Protection	:	IP54
Lens	:	Glass
Sensing element	:	Glass (magnifying), organic blue liquid filled tube
Process Connection	:	3/4" NPT with Thermowell
		1 1/4" - 18 UNF swivel nut (no thermowell)
Accuracy	:	±1% FS
Mounting	:	Adjustable Stem: Vertical Plane: 180° & Horizontal Plane: 360°
Thermowell	:	3/4" Brass separable socket, (SS Optional)*
		3/4" Lead free brass separable socket*
Weight	:	Approx 1 lb 7 oz (0.65 Kg)

Note: *For an Industrial Thermowell, please refer to the Industrial Thermowell product page

3.5" (90 MM) Stem	6" (150 MM) Stem	Range
Model	Model	
EIT-07-2211	EIT-07-2221	-40 to 110° F (-40 to 40° C)
EIT-07-2212	EIT-07-2222	0 to 120° F (-15 to 50° C)
EIT-07-2213	EIT-07-2223	0 to 160° F (-15 to 70° C)
EIT-07-2214	EIT-07-2224	30 to 180° F (0 to 80° C)
EIT-07-2215	EIT-07-2225	30 to 240° F (0 to 115° C)
EIT-07-2216	EIT-07-2226	30 to 300° F (0 to 150° C)
EIT-07-2217		50 to 400° F (10 to 205° C)
EIT-07-2218		100 to 550° F (40 to 300° C)

DIMENSIONAL DRAWING



TEMPERATURE GAUGES